



CC series

offline coolers

Oil/air offline cooler TT rail – CC

230/400V 50Hz AC **asa rail**

General Data And Details

The oil / air coolers of our CC series are autonomous cooling systems with an integrated circulation pump. They work as a separate cooling unit or as a filter cooling unit with an adequate filter. The benefits of such circulation coolers are a constant cooling performance and a higher durability, because there are no pressure vibrations or peaks in the cooler unit.

Conditions of use:

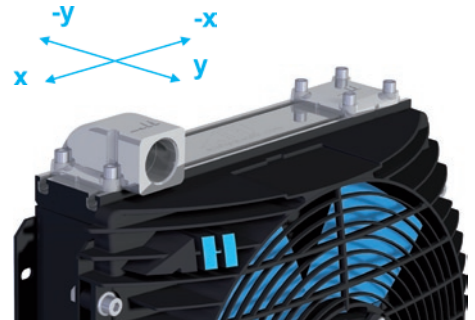
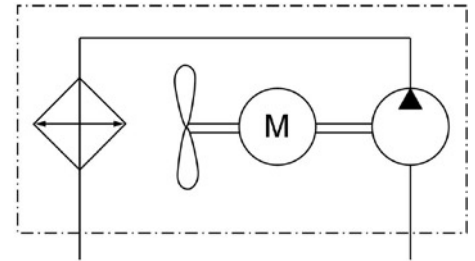
Maximum oil temperature: 100°C, maximum air temperature: 50°C. Motors can be used up to an altitude of 1.500m. For other conditions of use please contact our engineers.

Noise level:

Noise levels are measured in accordance with 2006/42/EC and EN ISO 3744.

Dimensions:

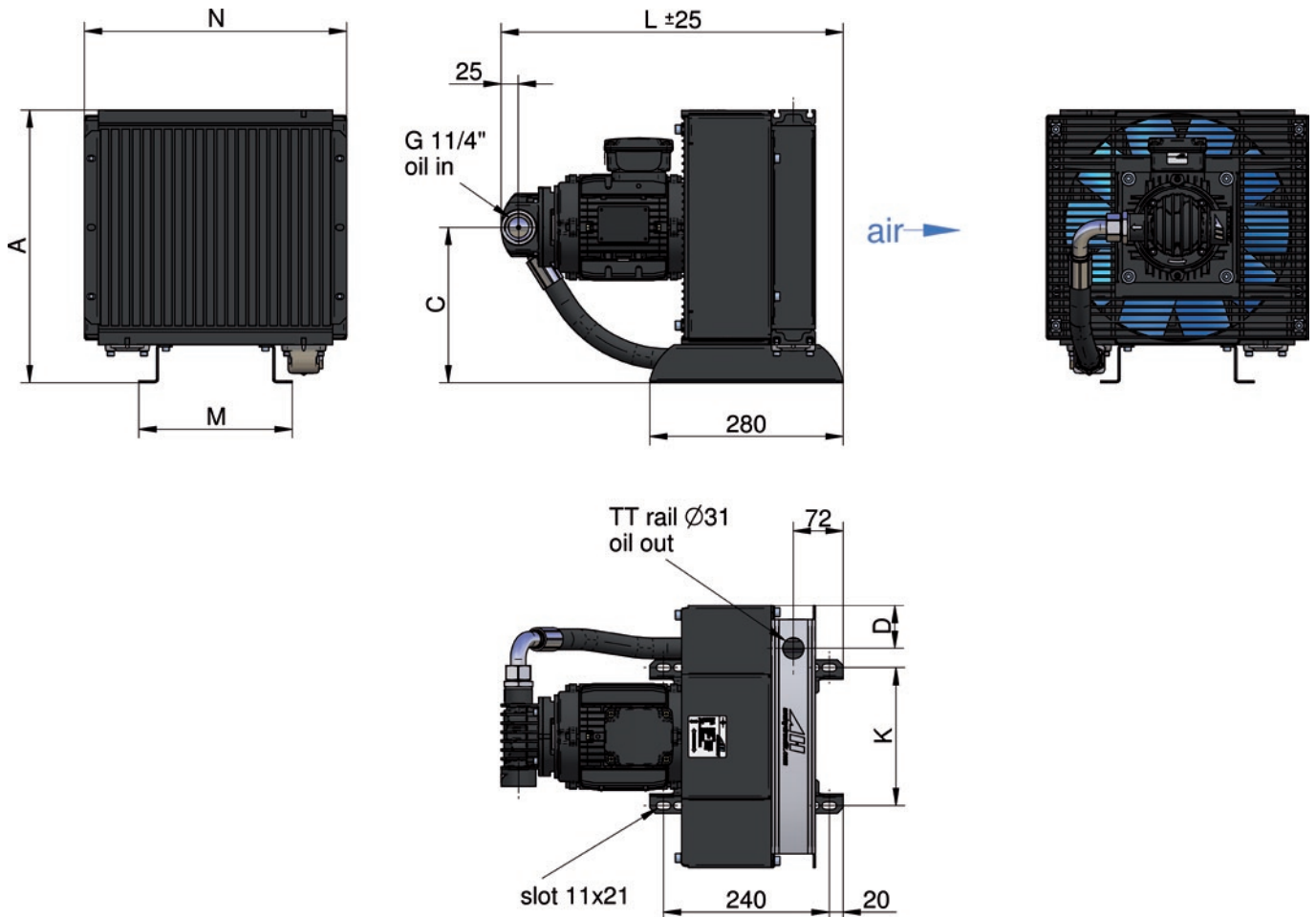
General tolerance according to DIN 2768-v



Connection


The **asa rail** system is the first worldwide flexible mounting and connection system for air blast heat exchangers. It gives you the free choice of the connector direction through turnable ports. The rail slots in the radiator are the frame structure not only for connecting the ports, also for various possible mounting arrangements such as bypass systems, mounting of the cooler to aggregates, measurement devices and much more. Please contact us to discover the huge potential of this system for your application.

Scale Drawing **asa rail**



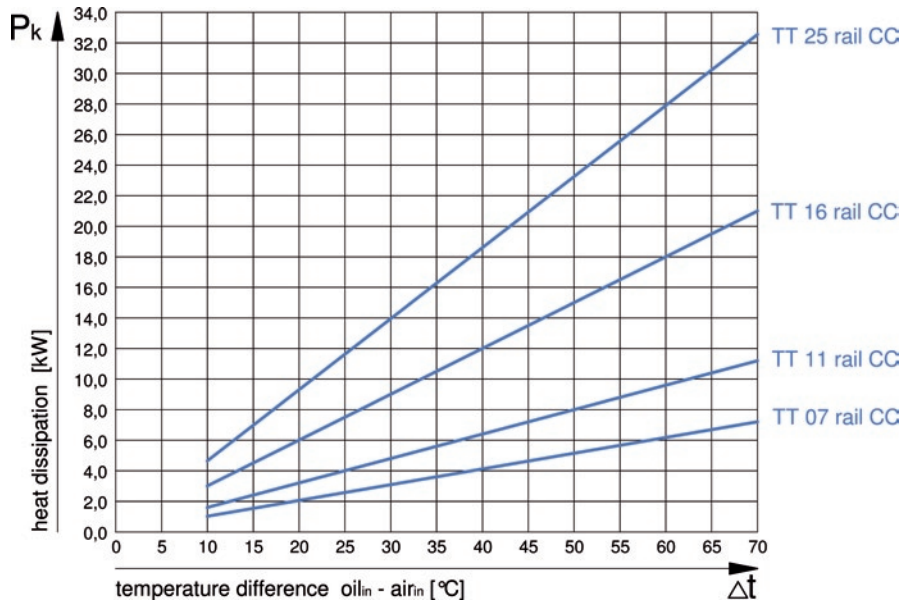
This data sheet shows a technical overview of our products. Please contact us if more exact information is needed. As we are constantly improving our products, their characteristics, dimensions and weights may also change, although we do our best to incorporate these changes continually. The information in this data sheet is intended to be used as a first general guideline only. asa assumes no liability for any information therein, any errors, omissions, misprints, nor any direct or indirect damages, losses or costs resulting therefrom. The cooling performance and the general technical values indicated in this catalogue are measured at a test bench according to asa testing procedures. Because there is no standardized testing procedure, tests used by other manufacturers could have different results. Due to different conditions in testing and application environments the cooling performance may also vary by +/- 15%. Therefore we recommend all coolers to be checked under the system operating conditions. This is also true of vibrations and mechanical stress as well as for pressure peaks and thermal stress and any other relevant factors.

Oil/air offline cooler TT rail – CC

230/400V 50Hz AC 



Performance



Technical Data

description		TT 07 rail CC	TT 11 rail CC	TT 16 rail CC	TT 25 rail CC
order number		ASATT07RA47CC	ASATT11RA47CC	ASATT16RA47CC	ASATT25RA47CC
oil flow	[l/min]	30	30	30	30
max. working pressure	[bar]	10	10	10	7
max. suction pressure	[bar]	-0,4	-0,4	-0,4	-0,4
viscosity range	[cSt]	<100	<100	<100	<100
voltage	[V]	230/400	230/400	230/400	230/400
frequency	[Hz]	50*)	50*)	50*)	50*)
motor power	[kW]	0,75	0,75	0,75	0,75
motor current	[A]	2,10	2,10	2,10	2,10
protection		IP 55	IP 55	IP 55	IP 55
rotation	[rpm]	1400	1400	1400	1400
air flow	[kg/s]	0,28	0,35	0,72	1,08
noise level	[dB(A)]	64	72	75	82
weight	[kg]	25,2	29,6	34,4	44,1
A	[mm]	355	395	520	660
C	[mm]	205	225	288	358
D	[mm]	72	62	65	68
K	[mm]	135	200	200	300
L	[mm]	493	495	511	511
M	[mm]	157	222	222	322
N	[mm]	320	380	460	558

design

radiator material	aluminium
radiator air fin shape:	wavy
pump type	gerotor
pump material (housing)	aluminium
sheet metal material	powder coated steel
suitable fluids	mineral oil

connection (BSP 1")

ILLZATT53G25K	1 per cooler required
options	
asa rail connectors	BSP 1 1/4"
temperature switch	50°C, 60°C

*) Please do not hesitate to contact us for any other technical requirements such as 60Hz frequency or higher motor protection class. You can also contact us to select the optimal options or get further information at www.asahydraulik.com or support@asahydraulik.com.

Please read manual before installation!

This data sheet shows a technical overview of our products. Please contact us if more exact information is needed. As we are constantly improving our products, their characteristics, dimensions and weights may also change, although we do our best to incorporate these changes continually. The information in this data sheet is intended to be used as a first general guideline only. asa assumes no liability for any information therein, any errors, omissions, misprints, nor any direct or indirect damages, losses or costs resulting therefrom. The cooling performance and the general technical values indicated in this catalogue are measured at a test bench according to asa testing procedures. Because there is no standardized testing procedure, tests used by other manufacturers could have different results. Due to different conditions in testing and application environments the cooling performance may also vary by +/- 15%. Therefore we recommend all coolers to be checked under the system operating conditions. This is also true of vibrations and mechanical stress as well as for pressure peaks and thermal stress and any other relevant factors.



progress in cooling



AUSTRIAN RESEARCH CENTERS

Austria

asa hydraulik GmbH
Prager Strasse 280
A-1210, Vienna
Tel.: +43 1 292 40 20
Fax: +43 1 292 40 70
support@asahydraulik.com

USA

asa hydraulik of America
160 Meister Avenue 20 A
Branchburg, New Jersey 08876
Tel.: +1 800 473 94 00
Fax: +1 908 541 15 50
sales_us@asahydraulik.com

China

asa hydraulik of Kunshan
江苏省昆山市千灯镇七浦西路25号
postcode: 215341
Tel.: +86 512 57950818
Fax: +86 512 57950898
kunshan@asahydraulik.com